

Base Model: Compact Radar Trailer

2023 General Pricing

Standard Features

Trailer: Welded Structural Steel Frame, Four 2,000 lb. Corner Stabilizer Jacks, 1,200 lb. Axle Assembly, Double-Eye Leaf Springs, Round Polyethylene Fenders that are Bolted to the Trailer Frame, 13" Wheels/Tires

Drawbar: Removable, 2" Ball Hitch, Swivel Footpad Tongue Jack, Flat-four Light Plug

Standard Color: Powder-Coated Safety Orange

Tower: Hand Winch Telescoping of Regulatory Sign and Solar Panel, Rotate 90 Degrees for Travel Position

Display: Weather-Resistant Aluminum Cabinet, Anti-glare Frosted Polycarbonate Window, Matrix Display 26" LED Amber Characters, Rotary Knob Selector Switch, Approach-only K-band Speed Radar (FCC Approved)

5 Year Wanco Manufactured Electronics Warranty (2 Year Radar Head Warranty)

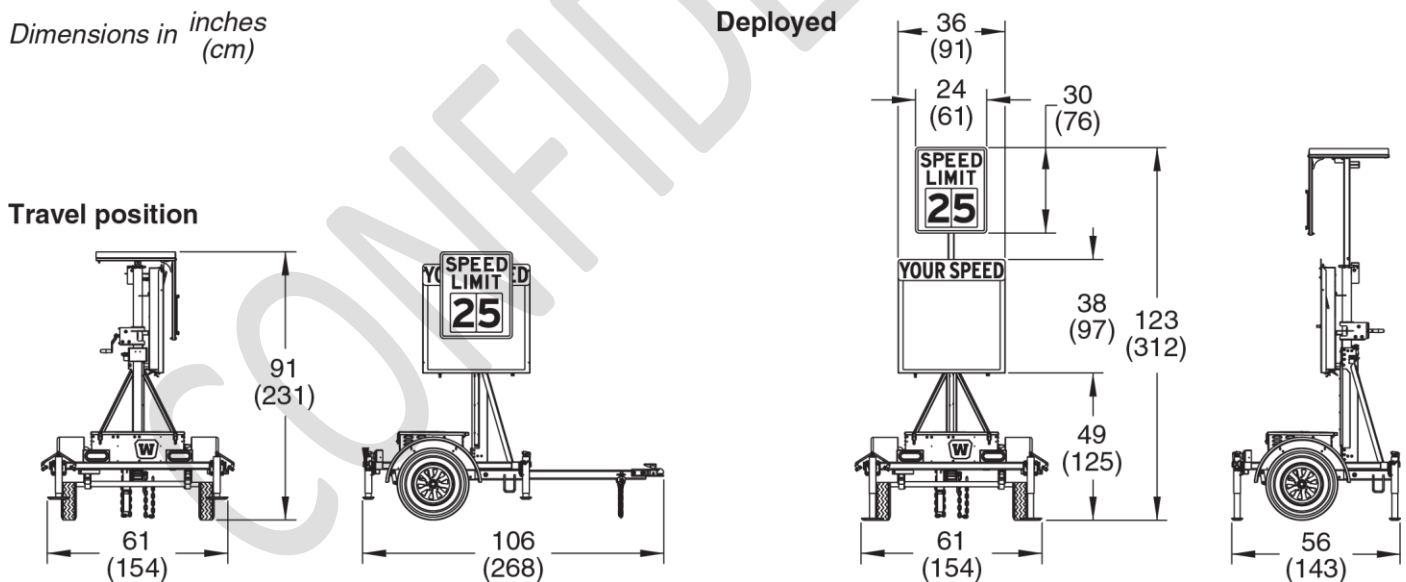
Speed Limit Sign: R2-1 Regulatory Speed Limit Sign with Changeable Speed Limit Numbers, Standard Size 24" W X 30" H

Solar Panel: One 65W Solar Panel Top Mounted, Wanco Solar Charge Controller

Batteries: Wanco Standard Battery Box, Two 6V Flooded Batteries (200 Ah Total Capacity), 15 Amp Battery Charger

Model	Model Code	MSRP	Part Number
Compact Radar Speed Trailer (Speed Limit Sign 24" W x 30" H)	WSDT3-S	\$11,080	WSDT3-S

Dimensions in inches (cm)



All Prices are FOB Wanco Factory. Confidential Information.

Do not disclose to parties outside of your organization. Pricing effective 12/03/2022.

WANCO | 5870 Tennyson Street, Arvada, Colorado 80003 USA | 303-427-5700

www.wanco.com



2023 General Pricing

Compact Radar Speed Trailer Options

Options	Add	MSRP	Part Number
Electronics			
ICC Touchscreen Controller for Creating Messages for Trailers without Traffic Data Classifier		\$845	216613-C1
Extreme Speed Red and Blue Flashing Strobes or White Flashing Strobes (Inside the Display)		\$300	203679
Wanco Premium Traffic Data Classifier System (Side Fire Radar-based, Nonintrusive) with Wanco Traffic Analyzer Software ICC Message Sign Touch Screen Controller for Creating Custom Messages Includes: 170W Solar Array, Security Battery Box with Puck Locks with Two 12V 4D AGM Batteries and 45 Amp Battery Charger Digital 4G Cellular RV50X Modem with GPS (Specify Verizon®, AT&T®, Sprint® or other) (Cellular Data Plan Not Included)		\$5,500	N/A
Wanco Traffic Data Classifier System (Side Fire Radar-based, Nonintrusive) with Wanco Traffic Analyzer Software (Local USB Download Only) ICC Message Sign Touch Screen Controller for Creating Custom Messages Includes: 130W Solar Array, Wanco Standard Battery Box with Two 12V 4D AGM Batteries and 45 Amp Battery Charger		\$3,150	N/A
Communications			
Digital 4G Generic Modem with GPS (Specify AT&T®, Sprint® or Verizon, Service Not Included), 1 Year Warranty		\$920	223881
Digital 4G RV50X Modem with GPS (Specify AT&T®, Sprint® or Verizon, Service Not Included), 3 Year Warranty		\$2,285	217510
Wanco Premium Cellular 250 MB Service w/ Fleet Manager Online Access (Setup, Programming, Hosting and Billing by Wanco; One Year Payment Required in Advance) (For Trailers with Data Classifier Optional Package or High Use & Online Control)		\$250/year	N/A
Trailer			
Anti-theft Axle-lock Bar		\$120	104098-52.000
30" x 36" Regulatory Speed Limit Sign with Changeable Speed Limit Numbers		\$180	208788
Lunette Ring for 2.5-inch Pintle Hitch (Replaces Standard 2" Ball Hitch)		\$130	101978-001
Lunette Ring for 3-inch Pintle Hitch (Replaces Standard 2" Ball Hitch)		\$270	104807-001
Combo-hitch for 2.5-inch Pintle Hitch and 2-inch Ball Hitch (Replaces Standard 2" Ball Hitch)		\$230	103412-001
7 Pin Trailer Wiring Adapter (RV style)		\$80	106371
7 Pin Trailer Wiring Harness (Cable with SAE Round Pin Connector) with 4 Tail Lights		\$350	N/A
Round Steel Full Wheel Fenders Bolted to the Trailer Frame		\$430	N/A
Solar			
85-watt Solar Panel (Replaces Standard 65W Solar Panel, 31% Increase)		\$215	205263
130-watt Solar Panel (Replaces Standard 65W Solar Panel, 100% Increase)		\$665	202493
170-watt Solar Panel (Replaces Standard 65W Solar Panel, 160% Increase)		\$1,100	215791-C1
200-watt Solar Panel (Replaces Standard 65W Solar Panel, 208% Increase)		\$1,430	202498
Batteries			
45-amp 12V Battery Charger (Replaces Standard 15-amp Battery Charger)		\$220	210271
Wanco Standard Battery Box (Four – 6VDC Flooded Batteries - 400 Ah total capacity) (15-amp Battery Charger)		\$520	218753-C1
Wanco Standard Battery Box (One – 12VDC AGM Batteries - 200 Ah total capacity) (15-amp Battery Charger)		\$415	N/A
Wanco Security Battery Box with Puck Lock (One – 12VDC AGM Batteries - 200 Ah total capacity) (15-amp Battery Charger)		\$735	N/A
Wanco Security Battery Box with Puck Locks (Two – 12VDC AGM Batteries - 400 Ah total capacity) (15-amp Battery Charger)		\$1,620	218764-C1
Wanco Security Battery Box with Puck Locks (Three – 12VDC AGM Batteries - 600 Ah total capacity) (45-amp Battery Charger)		\$2,830	215919-C1
Custom Color			
Custom Color Scheme – Electrostatic Powder Coat, Approved Color Chip Required		\$1,020	N/A

All Prices are FOB Wanco Factory. Confidential Information.

Do not disclose to parties outside of your organization. Pricing effective 12/03/2022.

WANCO | 5870 Tennyson Street, Arvada, Colorado 80003 USA | 303-427-5700

www.wanco.com

2023 General Pricing

Base Models: Folding Radar Trailer

Standard Features

Trailer: Welded Structural Steel Frame, Four Drop Stabilizer Legs, 2,000 lb. Axle Assembly, Double-Eye Leaf Springs, Round Polyethylene Fenders that are Bolted to the Trailer Frame, 15" Wheels/Tires

Drawbar: Removable, 2" Ball Hitch, Swivel Footpad Tongue Jack, Flat-four Light Plug

Standard Color: Powder-Coated Safety Orange

Folding Configuration: Tall Folding Trailer Frame Folds Speed Limit Signs and Solar Panels for Travel

Display: Weather-Resistant Aluminum Cabinet, Anti-glare Frosted Polycarbonate Window, Matrix Display 26" LED Amber Characters, Rotary Knob Selector Switch, Approach-only K-band Speed Radar (FCC Approved)

5 Year Wanco Manufactured Electronics Warranty (2 Year Radar Head Warranty)

Speed Limit Sign: R2-1 Regulatory Speed Limit Sign with Changeable Speed Limit Numbers (See Models for Sizes)

Work Zone Sign: G20-5aP Orange Reflective Sign over Speed Limit Sign

Solar Panel: One 85W Solar Panel Top Mounted, Wanco Solar Charge Controller

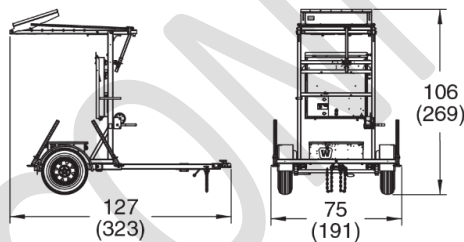
Batteries: Wanco Standard Battery Box, Four 6V Flooded Batteries (400 Ah Total Capacity), 15 Amp Battery Charger

Models	Model Code	MSRP	Part Number
Folding Radar Speed Trailer (Speed Limit Sign – 36" W x 48" H)	WSDT3-F48	\$11,540	213689-C1
Folding Radar Speed Trailer (Speed Limit Sign – 48" W x 60" H)	WSDT3-F60	\$12,140	228594-C1

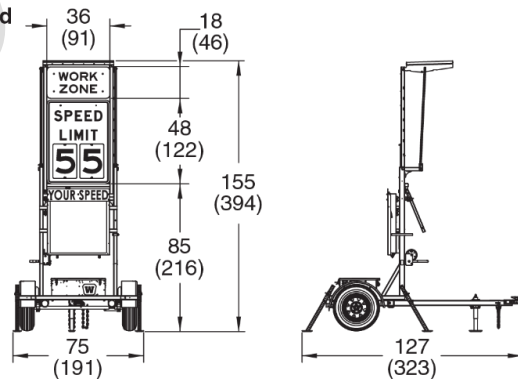
WSDT3-F48

Dimensions in inches (cm)

Travel position



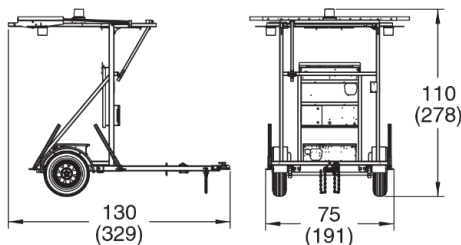
Deployed



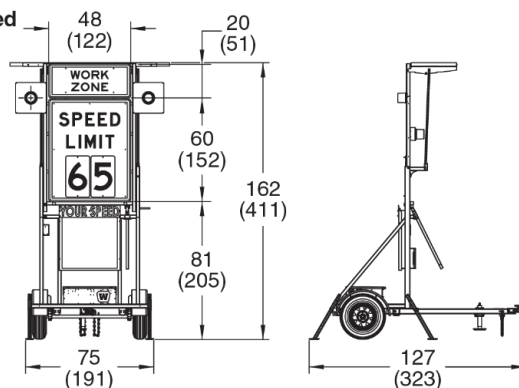
WSDT3-F60

Dimensions in inches (cm)

Travel position



Deployed



All Prices are FOB Wanco Factory. Confidential Information.

Do not disclose to parties outside of your organization. Pricing effective 12/03/2022.

WANCO | 5870 Tennyson Street, Arvada, Colorado 80003 USA | 303-427-5700

www.wanco.com



2023 General Pricing

Folding Radar Speed Trailer Options

Options	Add	MSRP	Part Number
Electronics			
ICC Touchscreen Controller for Creating Messages for Trailers without Traffic Data Classifier		\$845	216613-C1
Extreme Speed Red and Blue Flashing Strobes or White Flashing Strobes (Inside the Display)		\$300	203679
Wanco Premium Traffic Data Classifier System (Side Fire Radar-based, Nonintrusive) with Wanco Traffic Analyzer Software ICC Message Sign Touch Screen Controller for Creating Custom Messages Includes: 170W Solar Array, Security Battery Box with Puck Locks with Two 12V 4D AGM Batteries and 45 Amp Battery Charger Digital 4G Cellular RV50X Modem with GPS (Specify Verizon®, AT&T®, Sprint® or other) (Cellular Data Plan Not Included)		\$5,500	N/A
Wanco Traffic Data Classifier System (Side Fire Radar-based, Nonintrusive) with Wanco Traffic Analyzer Software (Local USB Download Only) ICC Message Sign Touch Screen Controller for Creating Custom Messages Includes: 130W Solar Array, Wanco Standard Battery Box with Two 12V 4D AGM Batteries and 45 Amp Battery Charger		\$3,150	N/A
Communications			
Digital 4G Generic Modem with GPS (Specify AT&T®, Sprint® or Verizon, Service Not Included), 1 Year Warranty		\$920	223881
Digital 4G RV50X Modem with GPS (Specify AT&T®, Sprint® or Verizon, Service Not Included), 3 Year Warranty		\$2,285	217510
Wanco Premium Cellular 250 MB Service w/ Fleet Manager Online Access (Setup, Programming, Hosting and Billing by Wanco; One Year Payment Required in Advance) (For Trailers with Data Classifier Optional Package or High Use & Online Control)		\$250/year	N/A
Flashing Beacons			
Flashing Amber Beacons Side Mounted (Dual 8" LED Signal Light) Includes 170W Solar Panel		\$2,015	N/A
Flashing Amber Beacons Side Mounted (Dual 12" LED Signal Light) Includes 170W Solar Panel		\$2,350	N/A
Amber Strobes Side Mounted (Dual LED Strobe Lights) Includes 170W Solar Panel		\$1,930	N/A
Flashing Amber Back Light (PAR 46 12VDC Light)		\$330	N/A
Trailer			
Anti-theft Axle-lock Bar		\$120	104098-69-Z3
Ballasted Trailer Deck (Adds 370 lbs. to Deck for Increased Wind Stability)		\$430	225832-C1
Lunette Ring for 2.5-inch Pintle Hitch (Replaces Standard 2" Ball Hitch)		\$130	101978-001
Lunette Ring for 3-inch Pintle Hitch (Replaces Standard 2" Ball Hitch)		\$270	104807-001
Combo-hitch for 2.5-inch Pintle Hitch and 2-inch Ball Hitch (Replaces Standard 2" Ball Hitch)		\$230	103412-001
7 Pin Trailer Wiring Adapter (RV style)		\$80	106371
7 Pin Trailer Wiring Harness (Cable with SAE Round Pin Connector) with 4 Tail Lights		\$350	N/A
Round Steel Full Wheel Fenders Bolted to the Trailer Frame		\$430	216281-P1
Solar			
130-watt Solar Panel (Replaces Standard 85W Solar Panel, 53% Increase)		\$470	202493
170-watt Solar Panel (Replaces Standard 85W Solar Panel, 100% Increase)		\$890	202495
260-watt Solar Panel (Replaces Standard 85W Solar Panel, 206% Increase)		\$1,835	202498
Batteries			
45-amp 12V Battery Charger (Replaces Standard 15-amp Battery Charger)		\$220	210271
Wanco Standard Battery Box (Six – 6VDC Flooded Batteries - 600 Ah total capacity) (45-amp Battery Charger)		\$685	218754-C1
Wanco Security Battery Box with Puck Locks (Four – 6VDC Flooded Batteries - 400 Ah total capacity) (15-amp Battery Charger)		\$440	218762-C1
Wanco Security Battery Box with Puck Locks (Two – 12VDC AGM Batteries - 400 Ah total capacity) (15-amp Battery Charger)		\$1,340	218764-C1
Wanco Security Battery Box with Puck Locks (Three – 12VDC AGM Batteries - 600 Ah total capacity) (45-amp Battery Charger)		\$2,440	215919-C1
Custom Color			
Custom Color Scheme – Electrostatic Powder Coat, Approved Color Chip Required		\$1,020	N/A

All Prices are FOB Wanco Factory. Confidential Information.

Do not disclose to parties outside of your organization. Pricing effective 12/03/2022.

WANCO | 5870 Tennyson Street, Arvada, Colorado 80003 USA | 303-427-5700

www.wanco.com



2023 General Pricing

Vertical Radar Speed Trailer Options

Options	Add	MSRP
Electronics		
ICC Touchscreen Controller for Creating Messages for Trailers without Traffic Data Classifier		\$845 216613-C1
Extreme Speed Red and Blue Flashing Strobes or White Flashing Strobes (Inside the Display)		\$300 203679
Wanco Premium Traffic Data Classifier System (Side Fire Radar-based, Nonintrusive) with Wanco Traffic Analyzer Software ICC Message Sign Touch Screen Controller for Creating Custom Messages Includes: 170W Solar Array, Security Battery Box with Puck Locks with Two 12V 4D AGM Batteries and 45 Amp Battery Charger Digital 4G Cellular RV50X Modem with GPS (Specify Verizon®, AT&T®, Sprint® or other) (Cellular Data Plan Not Included)		\$5,500 N/A
Wanco Traffic Data Classifier System (Side Fire Radar-based, Nonintrusive) with Wanco Traffic Analyzer Software (Local USB Download Only) ICC Message Sign Touch Screen Controller for Creating Custom Messages Includes: 130W Solar Array, Wanco Standard Battery Box with Two 12V 4D AGM Batteries and 45 Amp Battery Charger		\$3,150 N/A
Communications		
Digital 4G Generic Modem with GPS (Specify AT&T®, Sprint® or Verizon, Service Not Included), 1 Year Warranty		\$920 223881
Digital 4G RV50X Modem with GPS (Specify AT&T®, Sprint® or Verizon, Service Not Included), 3 Year Warranty		\$2,285 217510
Wanco Premium Cellular 250 MB Service w/ Fleet Manager Online Access (Setup, Programming, Hosting and Billing by Wanco; One Year Payment Required in Advance) (For Trailers with Data Classifier Optional Package or High Use & Online Control)		\$250/year N/A
Beacons		
Flashing Amber Beacons T/B Mounted (Dual 8" LED Signal Light) Includes 170W Solar Panel		\$1,500 N/A
Flashing Amber Beacons T/B Mounted (Dual 12" LED Signal Light) Includes 170W Solar Panel		\$1,680 N/A
Flashing Amber Back Light (PAR 46 12VDC Light)		\$330 N/A
Trailer		
Anti-theft Axle-lock Bar		\$120 104098-69-Z3
Ballasted Trailer Deck (Adds 370 lbs. to Deck for Increased Wind Stability)		\$430 225832-C1
Larger R2-1 Speed Limit Sign, 36" x 48" with Changeable Numbers		\$335 213676 & 213677
Larger R2-1 Speed Limit Sign, 48" x 60" with Changeable Numbers		\$515 204547 & 204552
Lunette Ring for 2.5-inch Pintle Hitch (Replaces Standard 2" Ball Hitch)		\$130 101978-001
Lunette Ring for 3-inch Pintle Hitch (Replaces Standard 2" Ball Hitch)		\$270 104807-001
Combo-hitch for 2.5-inch Pintle Hitch and 2-inch Ball Hitch (Replaces Standard 2" Ball Hitch)		\$230 103412-001
7 Pin Trailer Wiring Adapter (RV style)		\$80 106371
7 Pin Trailer Wiring Harness (Cable with SAE Round Pin Connector) with 4 Tail Lights		\$350 N/A
Round Steel Full Wheel Fenders Bolted to the Trailer Frame		\$430 216281-P1
Solar		
130-watt Solar Panel (Replaces Standard 85W Solar Panel, 53% Increase)		\$470 202493
170-watt Solar Panel (Replaces Standard 85W Solar Panel, 100% Increase)		\$890 202495
260-watt Solar Panel (Replaces Standard 85W Solar Panel, 206% Increase)		\$1,835 202498
Batteries		
45-amp 12V Battery Charger (Replaces Standard 15-amp Battery Charger)		\$220 210271
Wanco Standard Battery Box (Six – 6VDC Flooded Batteries - 600 Ah total capacity) (45-amp Battery Charger)		\$685 218754-C1
Wanco Security Battery Box with Puck Locks (Four – 6VDC Flooded Batteries - 400 Ah total capacity) (15-amp Battery Charger)		\$440 218762-C1
Wanco Security Battery Box with Puck Locks (Two – 12VDC AGM Batteries - 400 Ah total capacity) (15-amp Battery Charger)		\$1,340 218764-C1
Wanco Security Battery Box with Puck Locks (Three – 12VDC AGM Batteries - 600 Ah total capacity) (45-amp Battery Charger)		\$2,440 215919-C1
Custom Color		
Custom Color Scheme – Electrostatic Powder Coat, Approved Color Chip Required		\$1,020 N/A

All Prices are FOB Wanco Factory. Confidential Information.

Do not disclose to parties outside of your organization. Pricing effective 12/03/2022.

WANCO | 5870 Tennyson Street, Arvada, Colorado 80003 USA | 303-427-5700

www.wanco.com

2023 General Pricing

Base Models: Wanco® Pole Mounted Radar Signs

Standard Features

Sign Display: Weather-Resistant Aluminum Cabinet, Anti-glare Frosted Polycarbonate Window, Matrix Display 13" or 26" LED Amber Characters, Rotary Knob Selector Switch, Approach-only K-band Speed Radar (FCC Approved), Power Supply to be Connected to Commercial AC Power. Pelco Pole Mount Brackets on the Back.

5 Year Wanco Manufactured Electronics Warranty (2 Year Radar Head Warranty)

Solar Units

Solar Panel: One 65W Solar Panel Top Mounted, Wanco Solar Charge Controller

Batteries: Wanco Aluminum Battery Box, Two 12V AGM GRP 24 Batteries (150 Ah Total Capacity), No Battery Charger

All Components Configured for 4" – 4 1/2" Diameter Pole (Pole Optional)

Models: A/C Hard Wired

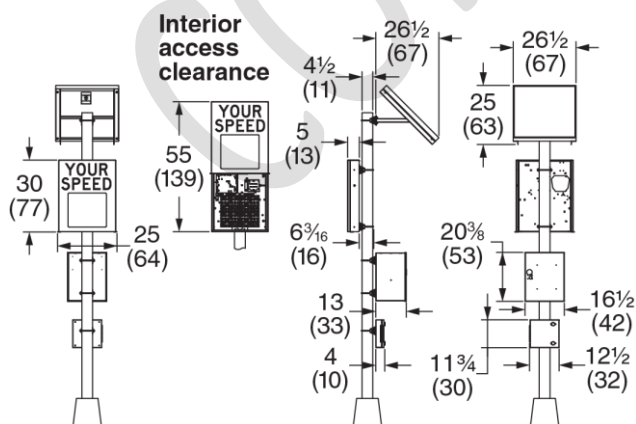
Models	Model Code	MSRP	Part Number
Small Pole Mounted Hard Wired Radar Sign - 24" x 30" Display, 13" LED Character, 110 VAC Power	WSDP1-AC	\$4,500	208793-C1
Large Pole Mounted Hard Wired Radar Sign - 36" x 36" Display, 26" LED Character, 110 VAC Power	WSDP3-AC	\$5,400	209547-C1

Models: Solar

Models	Model Code	MSRP	Part Number
Small Pole Mounted Solar Radar Sign - 24" x 30" Display, 13" LED Character, 65W Solar Panel, Two AGM GRP 24 Batteries (150 Ah Total Capacity)	WSDP1-S	\$6,530	208328-C1
Large Pole Mounted Solar Radar Sign - 36" x 36" Display, 26" LED Character, 65W Solar Panel, Two AGM GRP 24 Batteries (150 Ah Total Capacity)	WSDP3-S	\$7,115	208544-C1

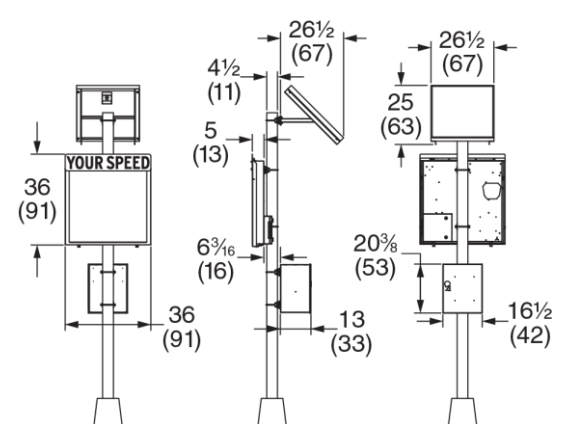
Small sign

Dimensions in inches (cm)



Large sign

Dimensions in inches (cm)



All Prices are FOB Wanco Factory. Confidential Information.

Do not disclose to parties outside of your organization. Pricing effective 12/03/2022.

WANCO | 5870 Tennyson Street, Arvada, Colorado 80003 USA | 303-427-5700

www.wanco.com



2023 General Pricing

Pole Mounted Radar Sign Options

Options	Add	MSRP	Part Number
Electronics			
Solar Pole Mounted Radar Signs			
Wanaco Traffic Data Classifier System (Side Fire Radar-based, Nonintrusive) with Wanaco Traffic Analyzer Software (Local USB Download Only) ICC Message Sign Touch Screen Controller Includes: 130W Solar Array (Same Batteries and Box)		\$2,850	220618-C1
A/C Hard Wired Pole Mounted Radar Signs			
Wanaco Traffic Data Classifier System (Side Fire Radar-based, Nonintrusive) with Wanaco Traffic Analyzer Software (Local USB Download Only) ICC Message Sign Touch Screen Controller		\$2,230	220618-C1
ICC Touchscreen Controller for Creating Messages for Trailers without Traffic Data Classifier		\$845	216613-C1
Extreme Speed Red and Blue Flashing Strobes or White Flashing Strobes (Inside the Display)		\$300	203679
Single Flashing Beacon 8" Amber LED with Wanaco Flasher		\$1,015	103991-001
Communications			
Digital 4G Generic Modem with GPS (Specify AT&T®, Sprint® or Verizon, Service Not Included), 1 Year Warranty		\$920	223881
Digital 4G RV50X Modem with GPS (Specify AT&T®, Sprint® or Verizon, Service Not Included), 3 Year Warranty		\$2,285	217510
Wanaco Premium Cellular 250 MB Service w/ Fleet Manager Online Access (Setup, Programming, Hosting and Billing by Wanaco; One Year Payment Required in Advance) (For Trailers with Data Classifier Optional Package or High Use & Online Control)		\$250/year	N/A
Solar			
130-watt Solar Panel (Replaces Standard 65W Solar Panel, 100% Increase)		\$665	202493
170-watt Solar Panel (Replaces Standard 65W Solar Panel, 160% Increase)		\$1,100	215791-C1
260-watt Solar Panel (Replaces Standard 65W Solar Panel, 300% Increase)		\$1,430	220188-C1
Mounting pole			
Aluminum 4.5" OD x 14 ft Long Pole with 15" Square Pedestal Base, J-bolt Kit		Call Factory	104257-001
Speed Limit Sign, 24" x 30" with Two Pole Clamps, (Specify Limit Number)		\$400	105020-001

All Prices are FOB Wanaco Factory. Confidential Information.

Do not disclose to parties outside of your organization. Pricing effective 12/03/2022.

WANCO | 5870 Tennyson Street, Arvada, Colorado 80003 USA | 303-427-5700

www.wanaco.com